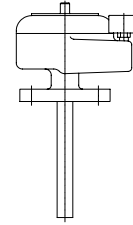


# Technical Data Sheet

## Temperature Controller Type 910

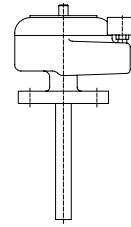


**TD\_910**

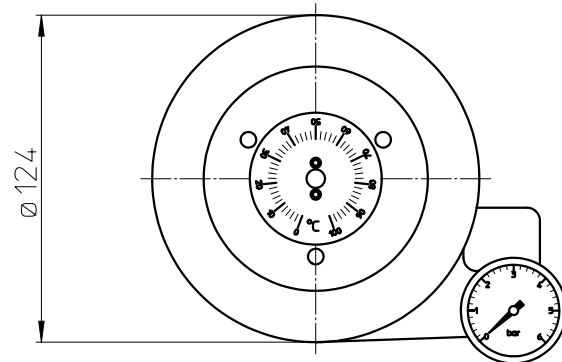
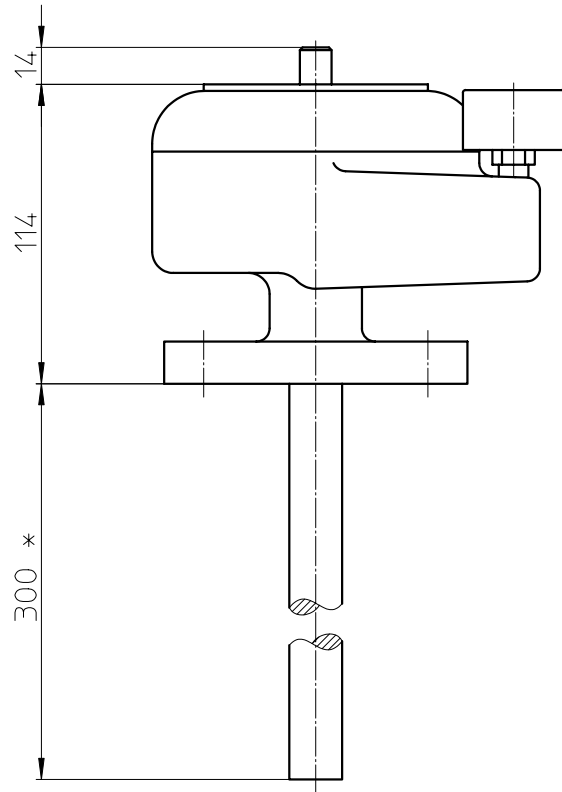
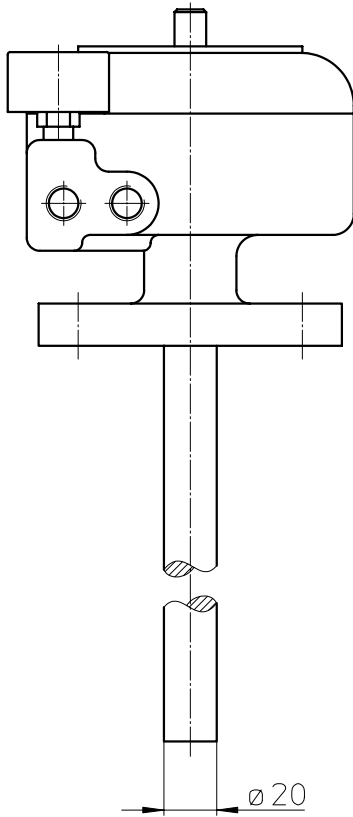
### Technical Data

<b>Mounting</b>	By means of flanges DN 25 PN 6 up to PN16 or DN 25 PN 40 acc. to EN 1092-1 Form B1
<b>Body material</b>	Flanges up to PN 16 Aluminium, flanges PN 40 stainless steel
<b>Material of heat sensor</b>	Stainless steel + CU-sensor
<b>Mounting position</b>	Anyone
<b>Temperature range</b>	Depending on measuring range
<b>Adjustment range</b>	0...100 °C (start increasable from 0...150°C)
<b>Control algorithm</b>	P-Controller
<b>P-Range</b>	3 K, adjustable over the complete measuring range
<b>Signal (input/output)</b>	Increasing / increasing or increasing / decreasing
<b>Flow capacity</b>	Max. 500 Sdm <sup>3</sup> /h
<b>Air supply pressure p<sub>z</sub></b>	1,4 bar
<b>Control pressure y</b>	0,2...1 bar
<b>Air consumption</b>	≤ 400 Sdm <sup>3</sup> /h at p <sub>z</sub> = 1,4 bar and y = 0,6 bar
<b>Pneumatic connections</b>	G 1/4"
<b>Dimensions</b>	Please refer to the dimensional drawing
<b>Weight</b>	App. 2,5 kg

# Technical Data Sheet Temperature Controller Type 910



**TD\_910**



\*optional 500/800