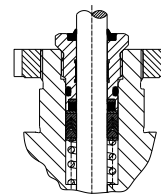


# Technical Data Sheet

## Stuffing box seal acc.

### TA-Luft VDI 2440 / VDI 3479 / DIN EN ISO 15848-1



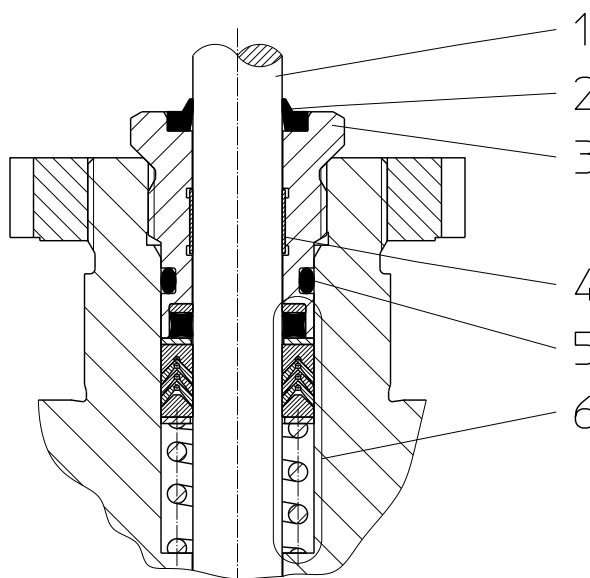
TD\_TA-L

#### General Data

<b>Series</b>	<b>8C and 6N</b>
<b>Nominal size DN /NPS</b>	<b>15-400 / ½" – 16"</b>
<b>Nominal pressure PN / ANSI</b>	<b>10-40 / Class 150-300</b>
<b>Stem diameter (mm)</b>	Ø10 to Ø40
<b>Operating temperature</b>	-46°C to 200°C

#### Materials

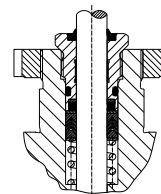
Item	Name	Material
1	Stem	1.4571 superfinished acc. AA KE 09
2	Wiper ring	NBR
3	Stuffing box screw	1.4542 / 17-4PH
4	Plain bearing	PTFE
5	O-ring	Viton
6	Seal set	PTFE/Coal (V-Ring) Viton (Quadring) 1.4310 (Spring)



# Technical Data Sheet

## Stuffing box seal acc.

### TA-Luft VDI 2440 / VDI 3479 / DIN EN ISO 15848-1



TD\_TA-L

BESCHEINIGUNG ◆ ATTESTATION ◆ 证明书 ◆ СВИДЕТЕЛЬСТВО ◆ CONSTANCIA ◆ ATTESTAZIONE



Industrie Service

### Attestation of leak rate

Attestation-No. IS-AN5-MUC-2102-5010137472-001

ARCA Regler GmbH  
Kempener Str. 18  
47918 Tönisvorst

We hereby confirm that the stem seal specified below and made by the above company was tested and approved according to VDI 2440 / VDI 3479 / EN ISO 15848-1 with more stringent requirements regarding the leak rate. For more detailed information see test report (No. 2840110).

#### Product description:

- Stem seals V-ring packing with additional precision sealing element for temperatures from RT to 200 °C
- Stem seals V-ring packing with additional precision sealing element for temperatures from -46 °C to RT

#### The product satisfies the following requirements:

- TA-Luft standard according to VDI 2440 / VDI 3479 (helium leak test)
- Leak testing according to EN ISO 15848-1 [ $\lambda \leq 1 \cdot 10^{-4} \text{ mbar} \cdot \text{l} \cdot \text{s}^{-1} \cdot \text{m}^3$ ]
- Visual verification of the required contact pressure in accordance with the operating instructions
- Specified structure of the seal assembly
- Number of cycles: 100,000

#### Performance category:

Stem seals for temperatures from RT to 200 °C  
ISO FE BH-CC3-SSA 0-t (RT, 200 °C)- PN50/-Class 300

Stem seals for temperatures from -46 °C to RT  
ISO FE BH-CC3-SSA 0-t (-46 °C, RT)-PN50/-Class 300

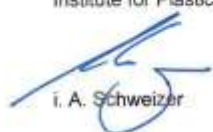
The product meets the leak-test requirements defined in Section 5.2.6.4 of the TA-Luft standard.

The certificate covers leak testing as per VDI 2440 / VDI 3479 / EN ISO 15848-1 to verify tightness / compliance with the specific leak rate defined in the TA-Luft standard [ $\lambda = 10^{-4} \text{ mbar} \cdot \text{l} \cdot \text{s}^{-1} \cdot \text{m}^3$ ] and extended tests under the above operating conditions.

This attestation is valid to February 2024.

Munich, 26 February 2021

TÜV SÜD Industrie Service GmbH  
Institute for Plastics

  
i. A. Schweizer



TÜV®

